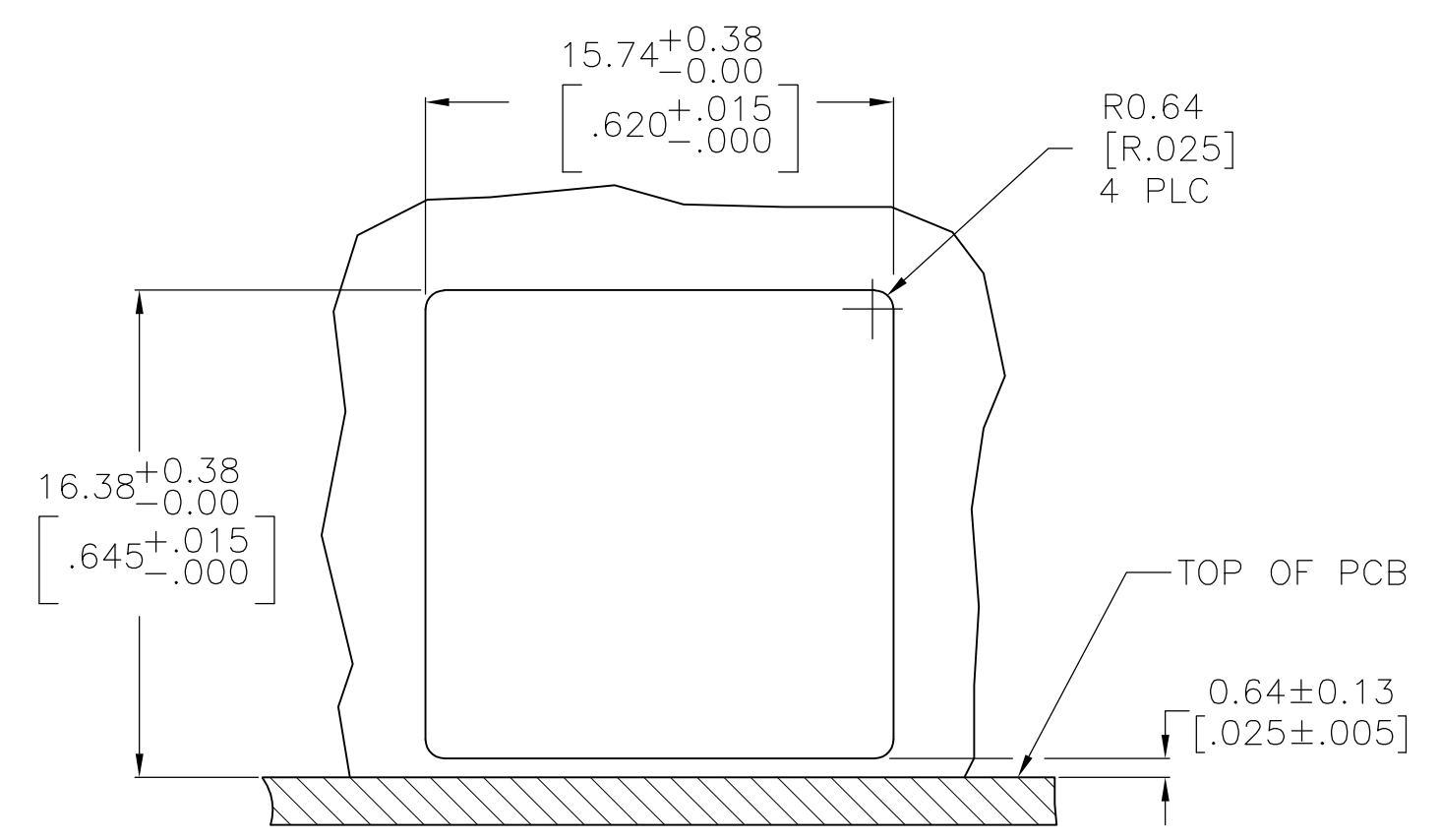
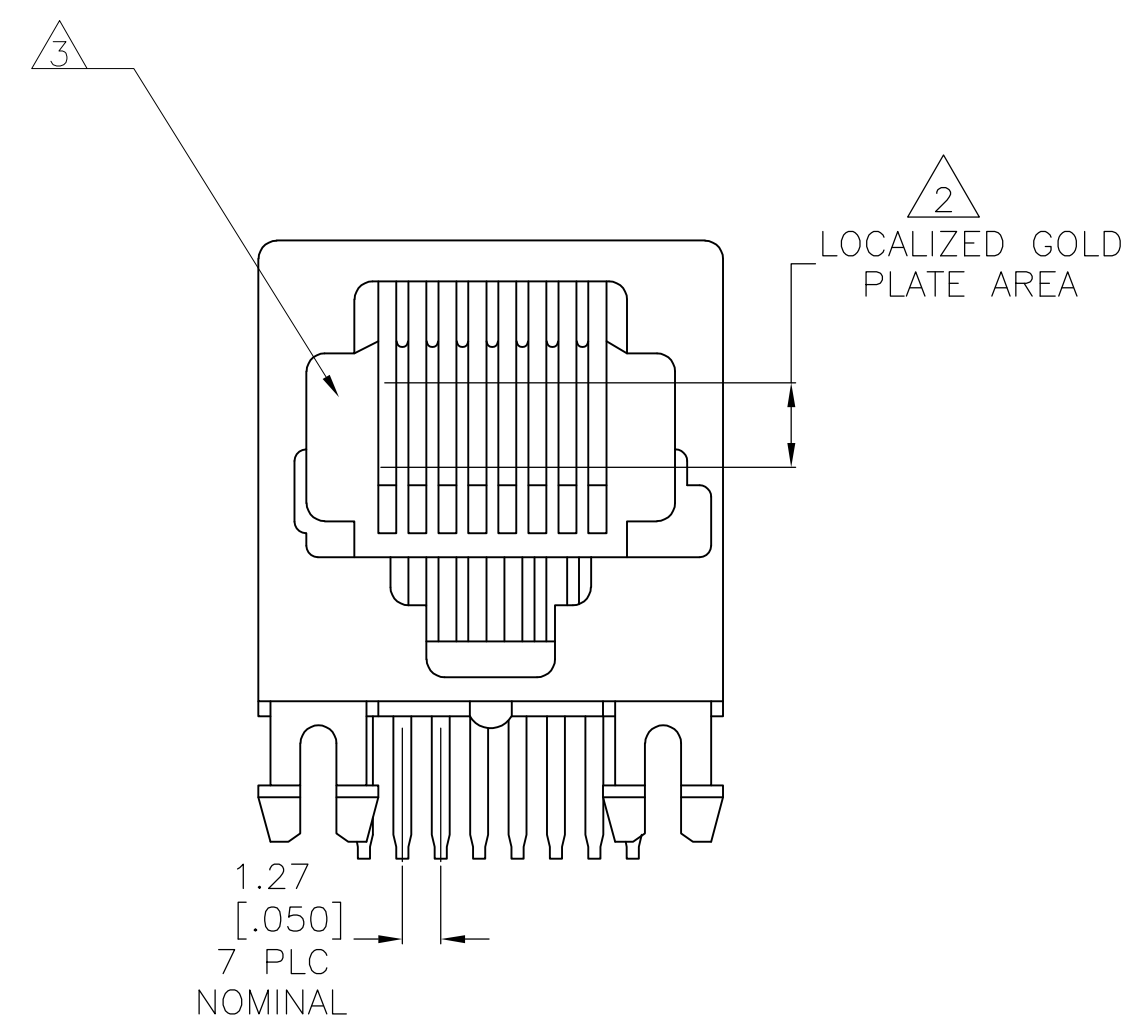
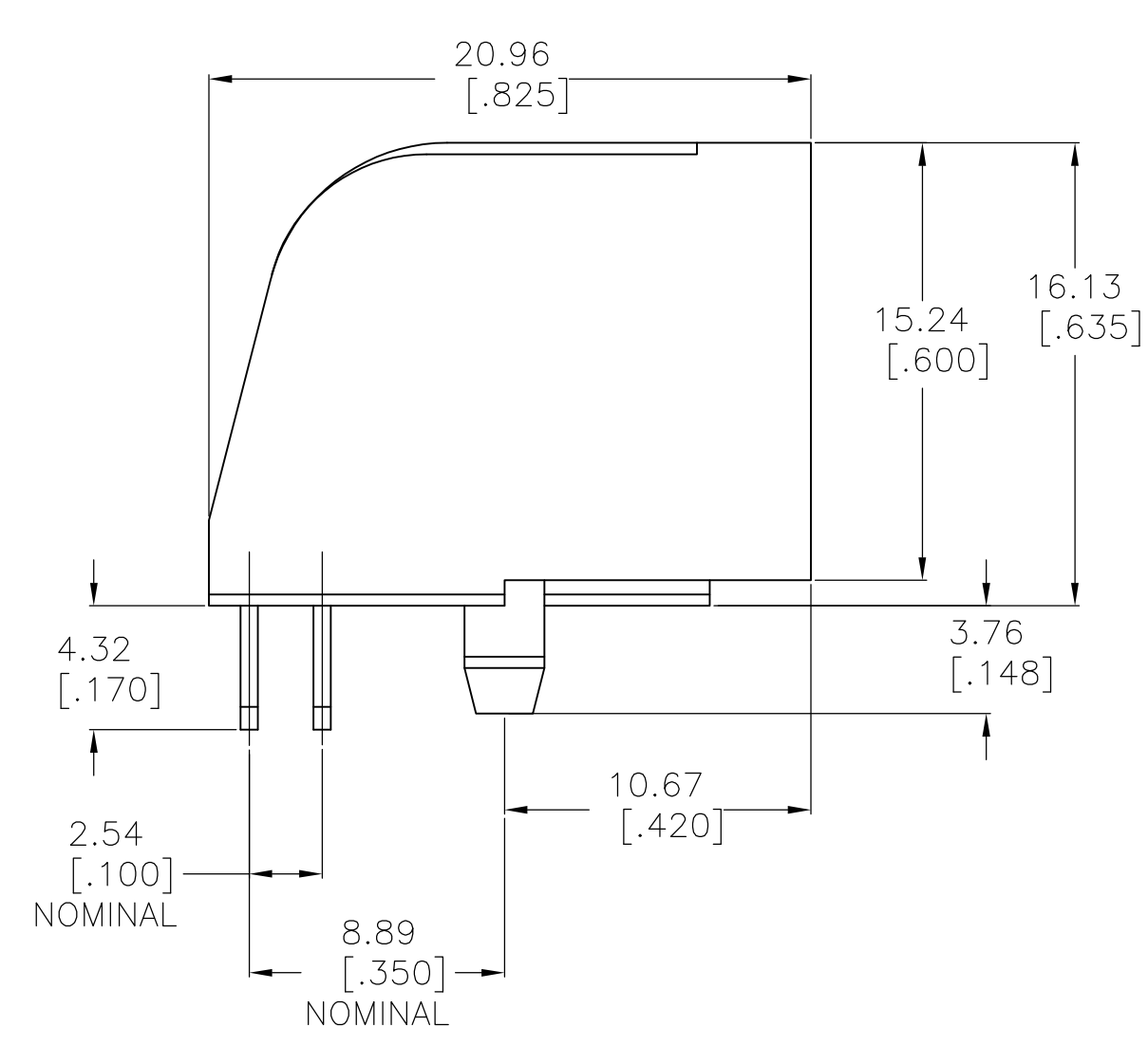
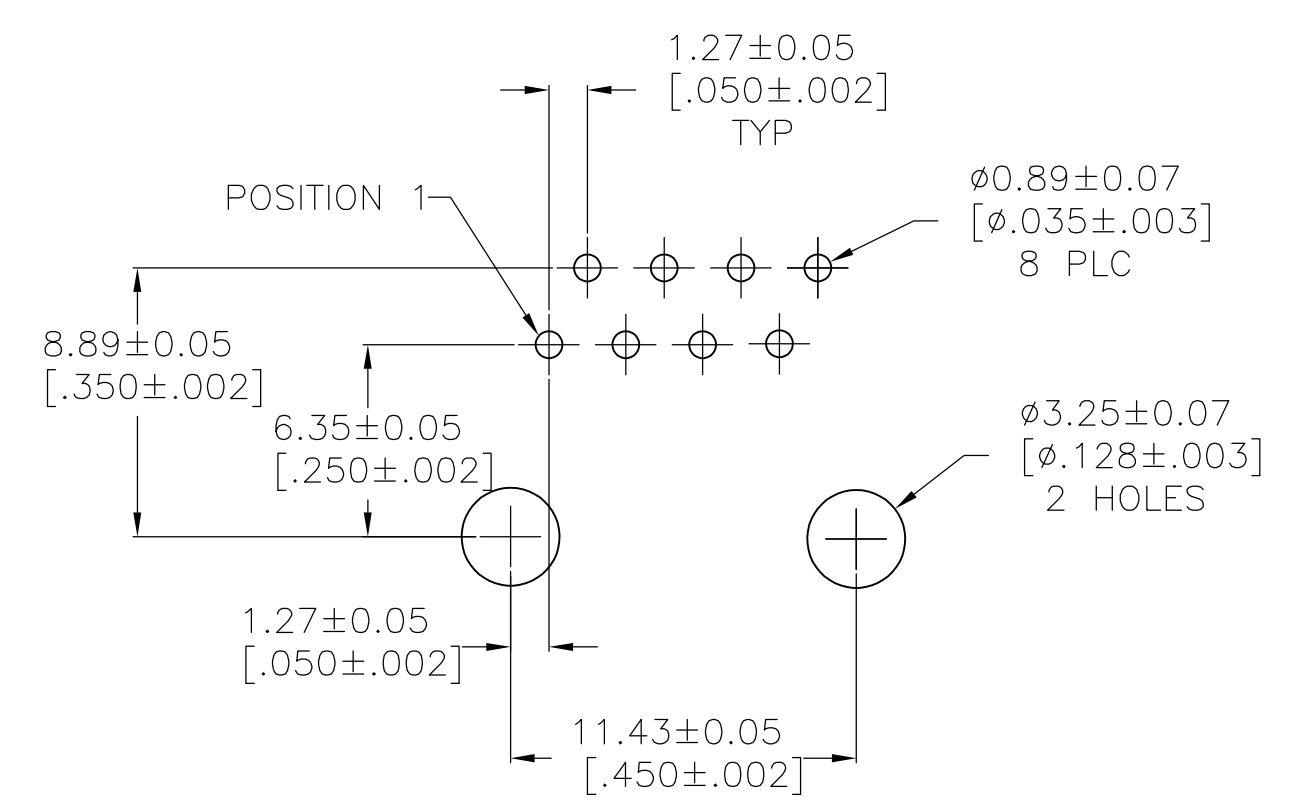
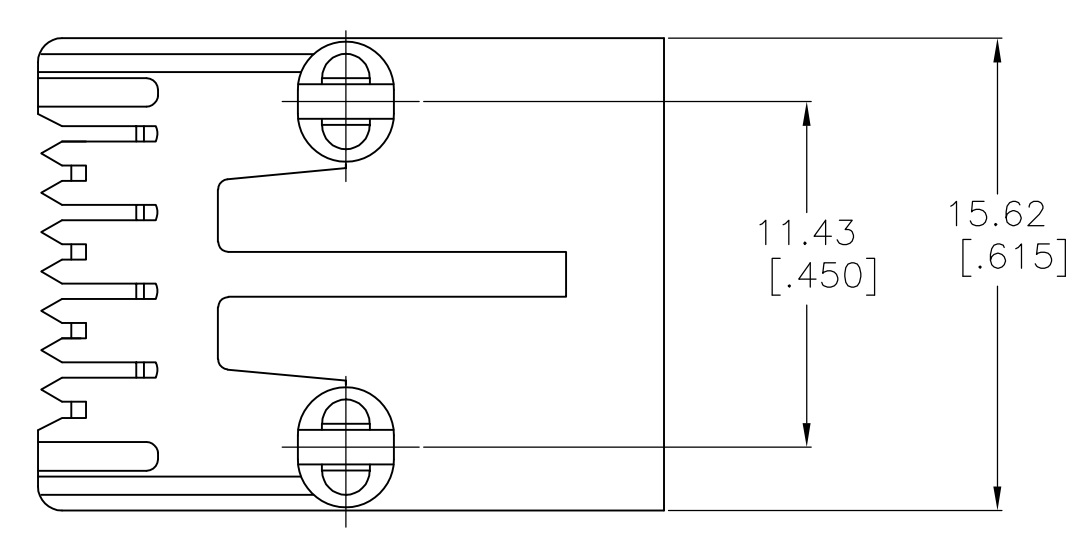


| LOC | | DIST | | REVISIONS | | | |
|-----|-----|---------------|---------|-----------|------|--|--|
| P | LTR | DESCRIPTION | DATE | DN | APVD | | |
| B | | ECO-07-019679 | 30AUG07 | LAM | PR | | |



RECOMMENDED PANEL CUTOUT

- MATERIAL: HOUSING PBT POLYESTER, COLOR: BLACK. TERMINAL-0.36 [.014] THICK PHOS-BRONZE PLATED WITH 1.27um [.000050] MINIMUM THICK HARD GOLD IN LOCALIZED GOLD PLATE AREA AND 3.81um [.000150] MINIMUM THICK MATTE TIN IN SOLDER AREA OVER 1.27um [.000050] MINIMUM THICK NICKEL UNDERPLATE.
- CAVITY CONFORMS TO FCC RULES AND REGULATIONS PART 68 AND REA BULLETIN 345-81, PE-76 SPECIFICATION FOR MODULAR TELEPHONE HARDWARE.
- ALL DIMENSIONS SHOWN ARE MAXIMUM UNLESS OTHERWISE SPECIFIED.



RECOMMENDED PRINTED CIRCUIT BOARD LAYOUT COMPONENT SIDE SHOWN

5554517-1
PART NUMBER

| | | | | | |
|--|--------------|---------------|------------|---|--------|
| THIS DRAWING IS A CONTROLLED DOCUMENT. | | DIN | 30AUG2007 | Tyco Electronics Corporation | |
| DIMENSIONS: mm [INCHES] | | CHK | 30AUG2007 | Harrisburg, PA 17105-3608 | |
| TOLERANCES UNLESS OTHERWISE SPECIFIED: | | APVD | 30AUG2007 | NAME | |
| 0 PLC | ± - | S. FLICKINGER | | MODULAR JACK ASSEMBLY, SIDE ENTRY, 8 POSITION, KEYED, FLANGELESS, WITHOUT PANEL STOPS | |
| 1 PLC | ± - | S. FLICKINGER | | PRODUCT SPEC | |
| 2 PLC | ± 0.13[.005] | S. FLICKINGER | | 108-1163 | |
| 3 PLC | ± - | S. FLICKINGER | | APPLICATION SPEC | |
| 4 PLC | ± - | S. FLICKINGER | | 114-2048 | |
| ANGLES | ± - | S. FLICKINGER | | SIZE | |
| MATERIAL | SEE NOTE 1 | FINISH | SEE NOTE 1 | WEIGHT | — |
| CUSTOMER DRAWING | | SCALE | 4:1 | SHEET | 1 OF 1 |
| | | DRAWING NO. | A100779 | REV | B |